



DM 10

Battery Powered Digital Pressure Gauge

Ceramic Sensor

class 0.5

Nominal pressure

from 0 ... 1.6 bar up to 0 ... 250 bar

Special characteristics

- ▶ rotatable housing and display
- ▶ LC display
4.5-digit 7-segment display
- ▶ standard battery CR 2450
operation period > 1 500 h

Functions

- ▶ min / max function with reset function
- ▶ auto-zero
- ▶ setting of pressure unit
(bar, mbar, psi, MPa, mH₂O)
- ▶ configuration of switch-off automatic

The compact low-cost digital pressure gauge DM 10 is battery-powered and has an adjustable housing; it is thus extremely suitable for mobile pressure monitoring. The 4.5-digit LC-display indicates the battery status, the measurement value as well as the unit, this enables a fast and precise reading.

It is possible to switch between the most common units (bar, psi, Pa, MPa). Additional functions as auto-zero, min / max values and an automatic switching-off complete the DM 10 profile.

Preferred areas of use are



Mobile pressure monitoring
Plant and machine engineering
Pneumatics / hydraulics



Environmental engineering
(water – sewage – recycling)



| Input Pressure | | | | | | | | | | | | | |
|------------------------------|-----------|-----|----|----|----|----|----|-----|-----|-----|-----|-----|--|
| Nominal pressure gauge [bar] | 1.6 | 2.5 | 4 | 6 | 10 | 16 | 25 | 40 | 60 | 100 | 160 | 250 | |
| Overpressure [bar] | 4 | 4 | 10 | 10 | 20 | 40 | 40 | 100 | 100 | 200 | 400 | 400 | |
| Burst pressure [bar] | 7 | 7 | 15 | 15 | 35 | 70 | 70 | 150 | 150 | 250 | 450 | 450 | |
| Vacuum resistance | unlimited | | | | | | | | | | | | |

| Performance | |
|-----------------------|----------------------|
| Accuracy ¹ | ≤ ± 0.5 % FSO BFSL |
| Measuring rate | 1/sec |
| Long term stability | ≤ ± 0.3 % FSO / year |

¹ accuracy according to IEC 60770 – minimum value setting (non-linearity, hysteresis, repeatability)

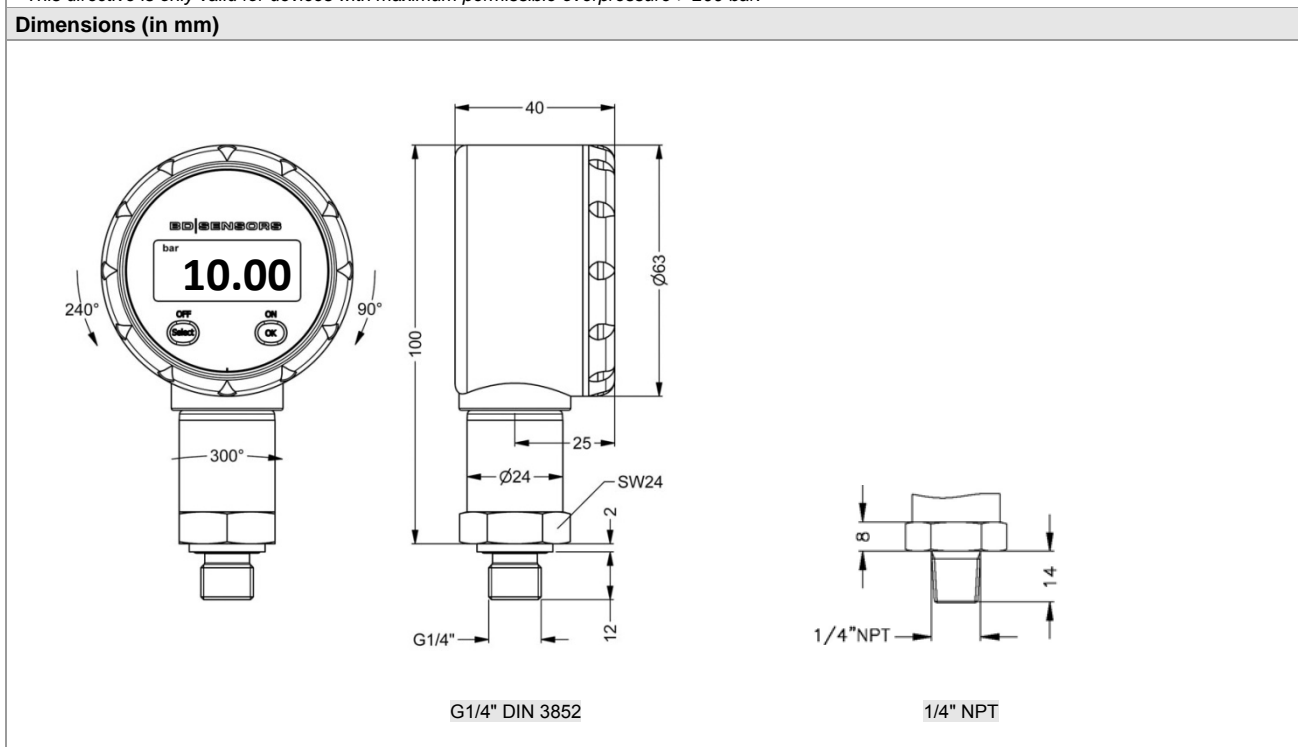
| Thermal effects (Offset and Span) | |
|-----------------------------------|--|
| Tolerance band | ≤ ± 0.5 % FSO / 10 K (typ.) in compensated range 0 ... 50 °C |

| Permissible temperatures | |
|--------------------------|---|
| Permissible temperatures | medium: -25 ... 85 °C environment: 0 ... 70 °C storage: 0 ... 70 °C |

| Materials | |
|-------------------------|--|
| Pressure port / housing | stainless steel 1.4301 (304) |
| Display housing | PA 6.6, Polycarbonate |
| Seals (media wetted) | FKM others on request |
| Diaphragm | ceramics Al ₂ O ₃ 96 % |
| Media wetted parts | pressure port, seals, diaphragm |

| Miscellaneous | |
|-------------------------------|---|
| Display | LC-Display, visible range 36 x 15 mm; 4.5-digit 7-segment-display, digit size 8.5 mm, range of indication ±1999 decimal place is calculated automatically by device considering range and accuracy - customer-setting not possible |
| Electromagnetic compatibility | emission and immunity according to EN 61326 |
| Supply | 3 V lithium battery (CR 2450) |
| Data storage | EEPROM (non-volatile) |
| Ingress protection | IP 65 |
| Installation position | any |
| Weight | approx. 150 g |
| Operational life of battery | min. 1 500 h with permanent operation |
| Mech. operational life | 100 million load cycles |
| CE-conformity | EMC directive 2014/30/EU pressure equipment directive: 2014/68/EU (Modul A) ² |

² This directive is only valid for devices with maximum permissible overpressure > 200 bar.



© 2020 BD|SENSORS GmbH – The specifications given in this document represent the state of engineering at the time of publishing. We reserve the right to make modifications to the specifications and materials.

