



# DS 200P

## Electronic Pressure Switch

Pressure Ports and Process Connections with Flush Welded Stainless Steel Diaphragm

accuracy according to IEC 60770:  
standard: 0.35 % FSO  
option: 0.25 % FSO

### Nominal pressure

from 0 ... 100 mbar up to 0 ... 40 bar

### Contacts

1, 2 or 4 independent PNP contacts,  
freely configurable

### Analogue output

2-wire: 4 ... 20 mA

3-wire: 4 ... 20 mA / 0 ... 10 V

others on request

### Special characteristics

- ▶ indication of measured values on a 4-digit LED display
- ▶ rotatable and configurable display module
- ▶ configurable contacts (switch on / switch off points, hysteresis / window mode, switch on / switch off delay)

### Optional versions

- ▶ IS-version  
Ex ia = intrinsically safe for gases
- ▶ customer specific versions

The electronic pressure switch DS 200P is the successful combination of

- ▶ intelligent pressure switch
- ▶ digital display

and is suitable for the usage with viscous and pasty media.

As standard the DS 200P offers a PNP contact and a rotatable display module with 4-digit LED display. Optional versions like e. g. an intrinsically safe version, max. four contacts and an analogue output complete the profile.

### Preferred areas of use are



Food industry



Pharmacy



Input pressure range <sup>1</sup>																	
Nominal pressure gauge	[bar]	-1 ... 0	0.10	0.16	0.25	0.40	0.60	1	1.6	2.5	4	6	10	16	25	40	
Nominal pressure abs.	[bar]	-	-	-	-	0.40	0.60	1	1.6	2.5	4	6	10	16	25	40	
Overpressure	[bar]	5	0.5	1	1	2	5	5	10	10	20	40	40	80	80	105	
Burst pressure ≥	[bar]	7.5	1.5	1.5	1.5	3	7.5	7.5	15	15	25	50	50	120	120	210	
Vacuum resistance		p <sub>N</sub> ≥ 1 bar: unlimited vacuum resistance								p <sub>N</sub> < 1 bar: on request							

<sup>1</sup> consider the pressure resistance of fitting and clamps

Contact <sup>2</sup>	
Standard	1 PNP contact
Options	2 independent PNP contacts 4 independent PNP contacts (possible with M12x1, 8-pin for 4 ... 20 mA/3-wire; 0 ... 10 V/3-wire on request)
Max. switching current	4 ... 20 mA / 2- and 3-wire: contact rating 125 mA, short-circuit resistant; V <sub>Switch</sub> = V <sub>S</sub> - 2V 0 ... 10 V / 3-wire: contact rating 125 mA, short-circuit resistant
Accuracy of contacts <sup>3</sup>	standard: p <sub>N</sub> < 0.4 bar: ≤ ± 0.5 % FSO      p <sub>N</sub> ≥ 0.4 bar: ≤ ± 0.35 % FSO option: p <sub>N</sub> ≥ 0.4 bar: ≤ ± 0.25 % FSO
Repeatability	≤ ± 0.1 % FSO
Switching frequency	max. 10 Hz
Switching cycles	> 100 x 10 <sup>6</sup>
Delay time	0 ... 100 sec

<sup>2</sup> max. 1 contact for 2-wire current signal with plug ISO 4400 as well as 2-wire current signal with IS-protection

no contact possible with 3-wire in combination with plug ISO 4400

<sup>3</sup> accuracy according to IEC 60770 – limit point adjustment (non-linearity, hysteresis, repeatability)

Analogue output (optionally) / Supply	
2-wire current signal	4 ... 20 mA / V <sub>S</sub> = 13 ... 36 V <sub>DC</sub> permissible load: R <sub>max</sub> = [(V <sub>S</sub> - V <sub>Smin</sub> ) / 0.02 A] Ω      response time: < 10 msec
2-wire current signal with IS-protection	4 ... 20 mA / V <sub>S</sub> = 15 ... 28 V <sub>DC</sub> permissible load: R <sub>max</sub> = [(V <sub>S</sub> - V <sub>Smin</sub> ) / 0.02 A] Ω      response time: < 10 msec
3-wire current signal	4 ... 20 mA / V <sub>S</sub> = 19 ... 30 V <sub>DC</sub> adjustable (turn-down of span 1:5) <sup>4</sup> permissible load: R <sub>max</sub> = 500 Ω      response time: < 0.5 sec
3-wire voltage signal	0 ... 10 V / V <sub>S</sub> = 15 ... 36 V <sub>DC</sub> permissible load: R <sub>min</sub> = 10 kΩ      response time: < 10 msec
Without analogue output	V <sub>S</sub> = 15 ... 36 V <sub>DC</sub>
Accuracy <sup>3</sup>	standard: p <sub>N</sub> < 0.4 bar: ≤ ± 0.5 % FSO      p <sub>N</sub> ≥ 0.4 bar: ≤ ± 0.35 % FSO option: p <sub>N</sub> ≥ 0.4 bar: ≤ ± 0.25 % FSO

<sup>4</sup> with turn-down of span the analogue signal is adjusted automatically to the new measuring range

Thermal errors (offset and span) <sup>5</sup>				
Nominal pressure p <sub>N</sub>	[bar]	-1 ... 0	< 0.40	≥ 0.40
Tolerance band	[% FSO]	≤ ± 0.75	≤ ± 1.5	≤ ± 0.75
in compensated range	[°C]	-20 ... 85	0 ... 50	-20 ... 85

<sup>5</sup> an optional cooling element can influence thermal effects for offset and span depending on installation position and filling conditions

Permissible temperatures		
Filling fluid	silicone oil	food compatible oil
Medium <sup>6</sup>	-40 ... 125 °C	-10 ... 125 °C
Medium with cooling element <sup>7</sup>	overpressure: -40 ... 300 °C vacuum: -40 ... 150 °C <sup>8</sup>	overpressure: -10 ... 250 °C vacuum: -10 ... 150 °C <sup>8</sup>
Electronics / environment	-40 ... 85 °C	
Storage	-40 ... 100 °C	

<sup>6</sup> max. temperature of the medium for overpressure > 0 bar: 150 °C for 60 minutes with a max. environmental temperature of 50 °C

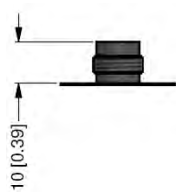
<sup>7</sup> max. temperature depends on the used sealing material, type of seal and installation

<sup>8</sup> also for p<sub>abs</sub> ≤ 1 bar

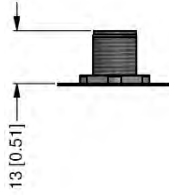
Electrical protection	
Short-circuit protection	permanent
Reverse polarity protection	no damage, but also no function
Electromagnetic compatibility	emission and immunity according to EN 61326
Mechanical stability	
Vibration	5 g RMS (25 ... 2000 Hz)      according to DIN EN 60068-2-6
Shock	100 g / 11 msec      according to DIN EN 60068-2-27
Filling fluids	
Standard	silicone oil
Options	food compatible oil according to 21CFR178.3570 (Mobil SHC Cibus 32; Category Code: H1; NSF Registration No.: 141500)

Materials						
Pressure port	inch thread: stainless steel 1.4404 (316 L)		G1" cone, Clamp, dairy pipe, Varivent®: stainless steel 1.4435 (316 L)			
Housing	stainless steel 1.4404 (316 L)					
Display housing	PA 6.6, Polycarbonate					
Seals (media wetted)	standard: FKM (recommended for medium temperatures ≤ 200 °C)		option: FFKM (recommended for medium temperatures < 260 °C)		others on request	
Diaphragm	standard: stainless steel 1.4435 (316 L)		option: Hastelloy® C-276 (2.4819); Tantalum on request			
Media wetted parts	pressure port, seals, diaphragm					
Explosion protection (only for 4 ... 20 mA / 2-wire)						
Approval AX14-DS 200P	IBExU06ATEX1050 X zone 1: II 2G Ex ia IIC T4 Gb (connector) / II 2G Ex ia IIB T4 Gb (cable)					
Safety technical maximum values	U <sub>i</sub> = 28 V, I <sub>i</sub> = 93 mA, P <sub>i</sub> = 660 mW, C ≈ 0 nF, L <sub>i</sub> ≈ 0 μH					
Max. switching current <sup>9</sup>	70 mA					
Permissible temperatures for environment	-25 ... 70 °C					
Connecting cables (by factory)	cable capacitance: signal line/shield also signal line/signal line: 100 pF/m		cable inductance: signal line/shield also signal line/signal line: 1 μH/m			
<sup>9</sup> the real switching current in the application depends on the power supply unit						
Miscellaneous						
EHEDG certificate Type EL Class I	EHEDG conformity is only ensured in combination with an approved seal. This is e.g. for - Clamp (C61, C62, C63): T-ring-seal from Combifit International B.V. - Varivent® (P41): EPDM-O-ring which is FDA-listed - dairy pipe (M73, M75, M76): ASEPTO-STAR k-flex upgrade seal by Kieselmann GmbH					
Display	4-digit, red 7-segment-LED display; digit height 7 mm; range of indication -1999 ... +9999; accuracy 0.1 % ± 1 digit; digital damping 0.3 ... 30 sec (programmable); measured value update 0.0 ... 10 sec (programmable)					
Current consumption (without contacts)	2-wire signal output current: max. 25 mA		3-wire signal output voltage: approx. 45 mA			
Ingress protection	IP 65					
Installation position	any (standard calibration in a vertical position with the pressure port connection down; different installation position for p <sub>N</sub> ≤ 2 bar have to be specified in the order)					
Surface roughness	pressure port R <sub>a</sub> < 0.8 μm (media wetted parts)		diaphragm R <sub>a</sub> < 0.15 μm weld seam R <sub>a</sub> < 0.8 μm			
Weight	approx. 160 ... 250 g					
Operational life	100 million load cycles					
CE-conformity	EMC Directive: 2014/30/EU					
ATEX Directive	2014/34/EU					
Wiring diagrams						
2-wire-system (current)			3-wire-system (current/voltage)			
Pin configuration						
Electrical connection	M12x1 plastic (5-pin)	M12x1 metal (5-pin)	M12x1 plastic (8-pin)	ISO 4400	Binder series 723 (5-pin)	cable colours (IEC 60757)
Supply +	1	1	1	1	1	WH (white)
Supply -	3	3	3	2	3	BN (brown)
Signal + (only 3-wire)	2	2	2	3	2	GN (green)
Contact 1	4	4	4	3	4	GY (grey)
Contact 2	5	5	5	-	5	PK (pink)
Contact 3	-	-	6	-	-	-
Contact 4	-	-	7	-	-	-
Shield	via pressure port	plug housing/pressure port	via pressure port	ground contact	plug housing/pressure port	GNYE (green-yellow)

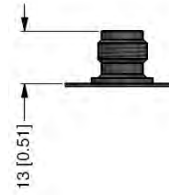
### Electrical connections (dimensions mm / in)



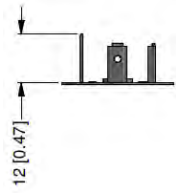
M12x1 plastic  
(5-pin)



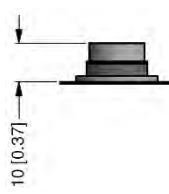
M12x1 metal  
(5-pin)



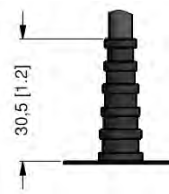
M12x1 plastic  
(8-pin)



ISO 4400



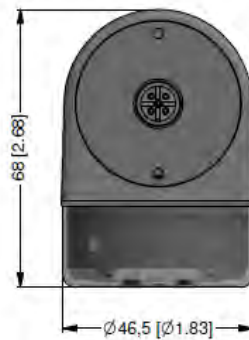
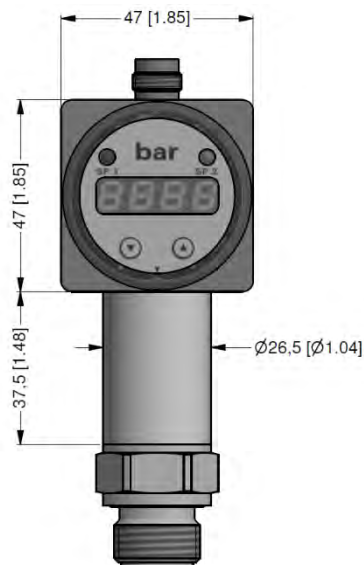
Binder series 723  
(5-pin)



cable outlet <sup>10</sup>

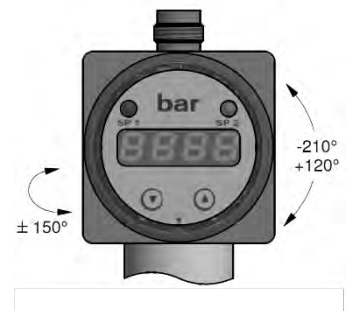
<sup>10</sup> different cable types and lengths available, permissible temperature depends on kind of cable; standard: 2 m PVC cable (without ventilation tube, permissible temperature: -5 ... 70 °C)

### Dimensions (mm / in)

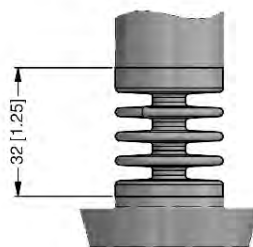


top view

### rotatability of display module

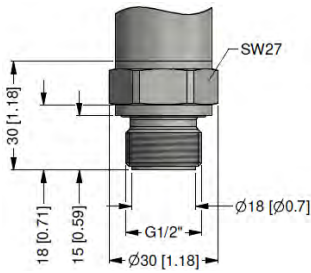


### Cooling element up to 300 °C <sup>7</sup> (optionally)

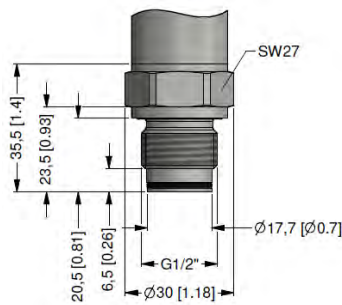


<sup>7</sup> max. temperature depends on the used sealing material, type of seal and installation

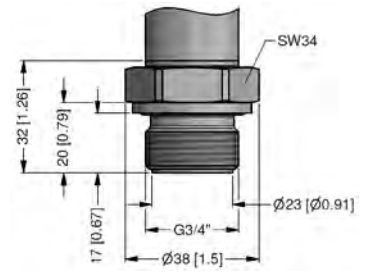
**Mechanical connection (dimensions mm / in)**



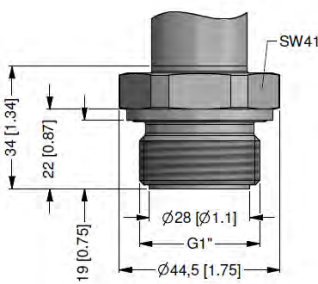
G1/2" flush DIN 3852  
p<sub>N</sub> ≥ 1 bar



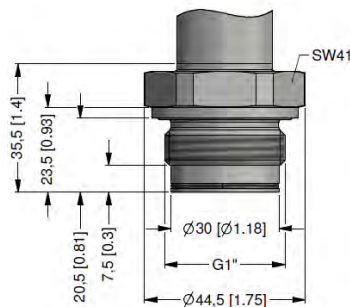
G1/2" flush with radial o-ring  
p<sub>N</sub> ≥ 1 bar



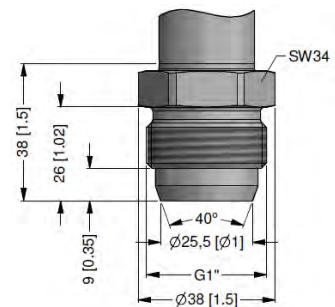
G3/4" flush DIN 3852



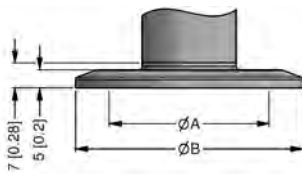
G1" flush DIN 3852



G1" flush with radial o-ring

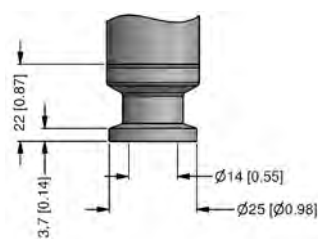


G1" cone

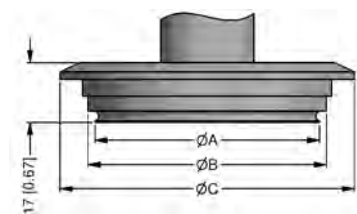


dimensions in mm [in]			
size	DN 25	DN 32	DN 50
A	23.0 [0.91]	23.0 [0.91]	45 [1.77]
B	50.5 [1.99]	50.5 [1.99]	64 [2.52]
p <sub>N</sub> [bar]	0.25 ... 16	≤ 16	≤ 16

Clamp (DIN 32676)

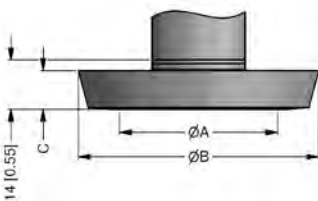


Clamp 3/4" (DIN 32676)  
4 bar ≤ p<sub>N</sub> ≤ 8 bar



dimensions in mm [in]	
size	DN 40/50
A	64 [2.52]
B	68 [2.68]
C	84 [3.31]

Varivent® DN 40/50  
p<sub>N</sub> ≤ 25 bar



dimensions in mm [in]			
size	DN 25	DN 40	DN 50
A	23 [0.91]	32 [1.26]	45 [1.77]
B	44 [1.73]	56 [1.20]	68.5 [2.70]
C	10 [0.39]	10 [0.39]	11 [0.43]
p <sub>N</sub> [bar]	≤ 40	≤ 40	≤ 25

diary pipe (DIN 11851)

- ⇒ SIL- and SIL-Ex version: total length increases by 26.5 mm!
- ⇒ metric threads and other versions on request

Varivent® is a brand name of GEA Tuchenhausen GmbH, Hastelloy® is a brand name of Haynes International Inc.

© 2023 BD|SENSORS GmbH – The specifications given in this document represent the state of engineering at the time of publishing. We reserve the right to make modifications to the specifications and materials.

## Ordering code DS 200P

**DS 200P**

--	--	--	--	--	--	--	--	--	--	--	--	--	--	--	--	--	--	--	--

Pressure																								
	gauge	7	8	5																				
	absolute	7	8	6																				
Input																								
	[bar]																							
	0.10	1	0	0	0																			
	0.16	1	6	0	0																			
	0.25	2	5	0	0																			
	0.40	4	0	0	0																			
	0.60	6	0	0	0																			
	1.0	1	0	0	1																			
	1.6	1	6	0	1																			
	2.5	2	5	0	1																			
	4.0	4	0	0	1																			
	6.0	6	0	0	1																			
	10	1	0	0	2																			
	16	1	6	0	2																			
	25	2	5	0	2																			
	40	4	0	0	2																			
	-1 ... 0	X	1	0	2																			
	customer	9	9	9	9																			
Analogue output																								
	without					0																		
	4 ... 20 mA / 2-wire					1																		
	0 ... 10 V / 3-wire					3																		
	4 ... 20 mA / 3-wire, adjustable					7																		
	intrinsic safety 4 ... 20 mA / 2-wire <sup>1</sup>					E																		
	customer					9																		
Contact																								
	1 contact <sup>1,2</sup>					1																		
	2 contacts <sup>1,2</sup>					2																		
	4 contacts <sup>3</sup>					4																		
Accuracy																								
	standard for p <sub>N</sub> > 0,4 bar:	0.35 % FSO					3																	
	standard for p <sub>N</sub> ≤ 0,4 bar:	0.50 % FSO					5																	
	option for p <sub>N</sub> ≥ 0,4 bar:	0.25 % FSO					2																	
	customer					9																		
Electrical connection																								
	male plug M12x1 (5-pin) / plastic					N	0	1																
	male plug M12x1 (8-pin) / plastic <sup>3</sup>					M	5	0																
	male plug M12x1 (5-pin) / metal					N	1	1																
	male and female plug ISO 4400 <sup>2</sup>					1	0	0																
	male plug Binder series 723 (5-pin)					2	0	4																
	cable outlet with PVC cable <sup>4</sup>					T	A	0																
	customer					9	9	9																
Mechanical connection																								
	G1/2" with flush welded diaphragm (DIN 3852) for p <sub>n</sub> ≥ 1 bar					Z	0	0																
	G3/4" with flush welded diaphragm (DIN 3852)					Z	S	0																
	G1" with flush welded diaphragm (DIN 3852)					Z	S	1																
	G1" DIN 3852 with rad. o-ring and flush diaphragm					Z	S	7																
	G1/2" DIN 3852 with rad. o-ring and flush diaphragm (for p <sub>n</sub> ≥ 1 bar)					Z	6	1																
	G 1" cone					K	S	1																
	Clamp DN 25 / 1" (DIN 32676) / 3A <sup>5</sup>					C	6	1																
	Clamp DN 32 / 1 1/2" (DIN 32676) / 3A <sup>5</sup>					C	6	2																
	Clamp DN 50 / 2" (DIN 32676) / 3A <sup>5</sup>					C	6	3																
	Clamp 3/4" (DIN 32676) / 3A <sup>5</sup>					C	6	9																
	dairy pipe DN 25 (DIN 11851) <sup>6</sup>					M	7	3																
	dairy pipe DN 40 (DIN 11851) <sup>6</sup>					M	7	5																
	dairy pipe DN 50 (DIN 11851) <sup>5,6</sup>					M	7	6																
	Varivent® DN 40/50 / 3A <sup>5</sup>					P	4	1																
	customer					9	9	9																
Diaphragm																								
	stainless steel 1.4435 (316L)																					1		
	tantalum																					T		
	Hastelloy® C-276 (2.4819)																					H		
	customer																					9		
Seal																								
	for Clamp, dairy pipe, Varivent®:	without					0																	
	for inch thread:	FKM					1																	
		FFKM					7																	
	customer					9																		
Filling fluid																								
	silicone oil																						1	
	food compatible oil (FDA) / 3A																						2	
	customer																						9	
Special version																								
	standard																						0	
	with cooling element up to 300°C / 3A																						2	
	customer																						9	

<sup>1</sup> with IS version max. 1 contact is possible  
<sup>2</sup> with connector ISO 4400 and output 2-wire version only max. 1 contact possible; with 3-wire version no contact possible  
<sup>3</sup> 4 contacts and M12x1, 8-pin only possible in combination and together with 4 ... 20 mA/3-wire; 0 ... 10 V/3-wire on request  
<sup>4</sup> standard: 2 m PVC cable without ventilation tube (permissible temperature: -5 ... 70 °C), others on request  
<sup>5</sup> possible nominal pressure ranges according to data sheet  
<sup>6</sup> The cup nut for dairy pipe has to be mounted by production of pressure transmitter. The cup nut has to be ordered as separate position.  
 Varivent® is a brand name of GEA Tuchenhaagen GmbH. Hastelloy® is a brand name of Haynes International Inc.

© 2022 BD|SENSORS GmbH - The specifications given in this document represent the state of engineering at the time of publishing. We reserve the right to make modifications to the specifications and materials.