

LMP 308

Detachable Stainless Steel Probe

Stainless Steel Sensor

accuracy according to IEC 60770:
standard: 0.35 % FSO
option: 0.25 % FSO / 0.1 % FSO



Nominal pressure

from 0 ... 1 mH₂O up to 0 ... 250 mH₂O

Output signals

2-wire: 4 ... 20 mA
others on request

Special characteristics

- ▶ diameter 35 mm
- ▶ cable and sensor head detachable
- ▶ high accuracy
- ▶ good long term stability

Optional versions

- ▶ IS-version
Ex ia = intrinsically safe for gas and dust
- ▶ SIL 2 (Safety Integrity Level)
- ▶ customer specific versions
- ▶ mounting accessories e.g.
mounting flange and terminal clamp
in stainless steel
- ▶ different kinds of cables
and elastomers

The detachable stainless steel probe LMP 308 is designed for the continuous level measurement of water and low-viscosity fluids.

In order to facilitate stock-keeping and maintenance the sensor head is plugged to the cable assembly with a connector and can be changed easily.

Preferred areas of use are

Water / filtrated sewage

ground water level measurement

level measurement in wells and open waters



rain spillway basin

level measurement in container

water treatment plants

water recycling



LMP 308

Detachable Stainless Steel Probe

Technical Data

Input pressure range															
Nominal pressure gauge	[bar]	0.10	0.16	0.25	0.40	0.60	1	1.6	2.5	4	6	10	16	25	
Level	[mH ₂ O]	1	1.6	2.5	4	6	10	16	25	40	60	100	160	250	
Overpressure	[bar]	0.5	1	1	2	5	5	10	10	20	40	40	80	80	
Burst pressure	[bar]	1.5	1.5	1.5	3	7.5	7.5	15	15	25	50	50	120	120	
Max. ambient pressure (housing): 40 bar															
Output signal / Supply															
Standard	2-wire:	4 ... 20 mA / V _S = 8 ... 32 V _{DC}							SIL-version: V _S = 14 ... 28 V _{DC}						
Option IS-protection	2-wire:	4 ... 20 mA / V _S = 10 ... 28 V _{DC}							SIL-version: V _S = 14 ... 28 V _{DC}						
Performance															
Accuracy ¹	standard:	nominal pressure < 0.4 bar:							≤ ± 0.5 % FSO						
		nominal pressure ≥ 0.4 bar:							≤ ± 0.35 % FSO						
	option 1:	nominal pressure ≥ 0.4 bar:							≤ ± 0.25 % FSO						
	option 2:	for all nominal pressures:							≤ ± 0.1 % FSO						
Permissible load	R _{max} = [(V _S - V _{S min}) / 0.02 A] Ω														
Influence effects	supply:	0.05 % FSO / 10 V							load: 0.05 % FSO / kΩ						
Long term stability	≤ ± 0.1 % FSO / year at reference conditions														
Response time	≤ 10 msec														
¹ accuracy according to IEC 60770 – limit point adjustment (non-linearity, hysteresis, repeatability)															
Thermal effects (Offset and Span)															
Nominal pressure p _N	[bar]	< 0.40							≥ 0.40						
Tolerance band	[% FSO]	≤ ± 1							≤ ± 0.75						
in compensated range	[°C]	0 ... 70													
Permissible temperatures															
Permissible temperatures	medium:	-20 ... 70 °C							storage: -25 ... 70 °C						
Electrical protection ²															
Short-circuit protection	permanent														
Reverse polarity protection	no damage, but also no function														
Lightning protection	integrated														
Electromagnetic compatibility	emission and immunity according to EN 61326														
² additional external overvoltage protection unit in terminal box KL 1 or KL 2 with atmospheric pressure reference available on request															
Electrical connection															
Cable with sheath material ³	PVC (-5 ... 70 °C) grey Ø 7.4 mm PUR (-20 ... 70 °C) black Ø 7.4 mm FEP ⁴ (-20 ... 70 °C) black Ø 7.4 mm														
Bending radius	static installation: 10-fold cable diameter dynamic application: 20-fold cable diameter														
³ shielded cable with integrated ventilation tube for atmospheric pressure reference															
⁴ do not use freely suspended probes with an FEP cable if effects due to highly charging processes are expected															
Materials (media wetted)															
Housing	stainless steel 1.4404 (316L)														
Seals	FKM, EPDM, others on request														
Diaphragm	stainless steel 1.4435 (316L)														
Protection cap	POM-C														
Cable sheath	PVC, PUR, FEP, others on request														
Explosion protection															
Approvals DX19-LMP 308	IBExU 10 ATEX 1068 X / IECEx IBE 12.0027X zone 0: II 1G Ex ia IIC T4 Ga zone 20: II 1D Ex ia IIIC T135 °C Da														
Safety technical maximum values	U _i = 28 V, I _i = 93 mA, P _i = 660 mW, C _i ≈ 0nF, L _i ≈ 0μH, the supply connections have an inner capacity of max. 27 nF to the housing														
Permissible temperatures for environment	in zone 0: -20 ... 60 °C with p _{atm} 0.8 bar up to 1.1 bar in zone 1 or higher: -40/-20 ... 70 °C														
Connecting cables (by factory)	cable capacitance: signal line/shield also signal line/signal line: 160 pF/m cable inductance: signal line/shield also signal line/signal line: 1 μH/m														
Miscellaneous															
Option SIL2 version ⁵	according to IEC 61508 / IEC 61511														
Current consumption	max. 25 mA														
Weight	approx. 250 g (without cable)														
Ingress protection	IP 68														
CE-conformity	EMC Directive: 2014/30/EU														
ATEX Directive	2014/34/EU														
⁵ not in combination with the accuracy 0.1 % FSO															

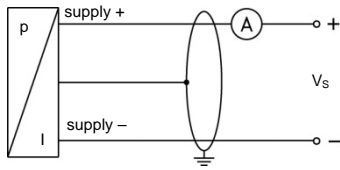
LMP 308

Detachable Stainless Steel Probe

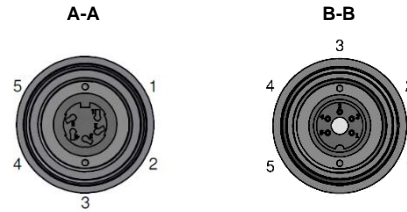
Technical Data

Wiring diagram

2-wire-system (current)



connector

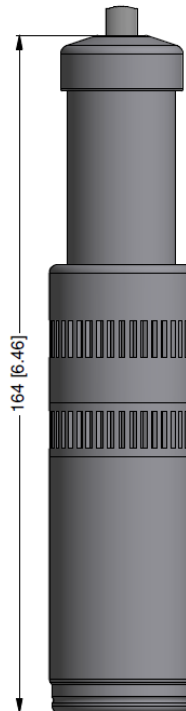
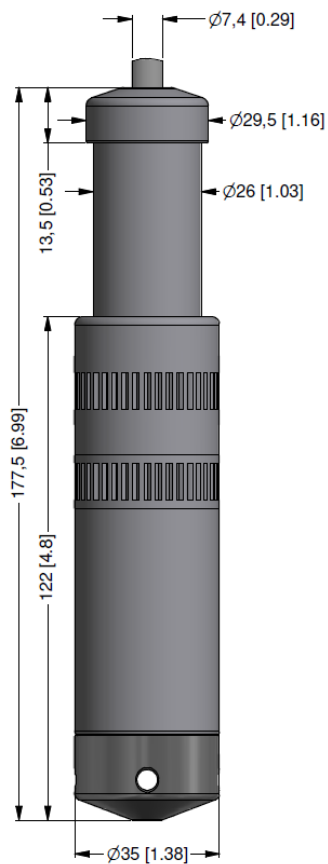


Pin configuration

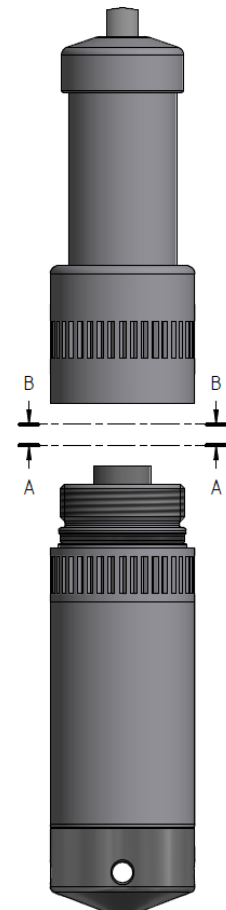
Electrical connection	Binder series 723 ⁶ (5-pin)	cable colours (IEC 60757)
Supply +	3	WH (white)
Supply -	1	BN (brown)
Shield	5	GYE (green-yellow)

⁶ if detached

Dimensions (mm / in)



protection cap
removable



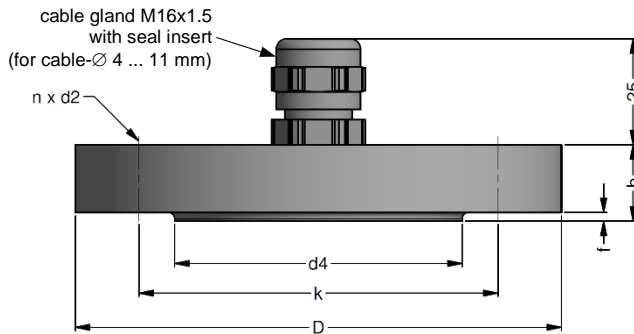
sensor head
and cable detached

LMP 308

Detachable Stainless Steel Probe

Accessories

Mounting flange with cable gland



dimensions in mm			
size	DN25 / PN40	DN50 / PN40	DN80 / PN16
b	18	20	20
D	115	165	200
d2	14	18	18
d4	68	102	138
f	2	3	3
k	85	125	160
n	4	4	8

Technical data

Suitable for	all probes		
Flange material	stainless steel 1.4404 (316L)		
Material of cable gland	standard: brass, nickel plated on request: stainless steel 1.4305 (303); plastic		
Seal insert	material: TPE (ingress protection IP 68)		
Hole pattern	according to DIN 2507		

Ordering type	Ordering code	Weight
DN25 / PN40 with cable gland brass, nickel plated	ZMF2540	1.4 kg
DN50 / PN40 with cable gland brass, nickel plated	ZMF5040	3.2 kg
DN80 / PN16 with cable gland brass, nickel plated	ZMF8016	4.8 kg

Terminal clamp



Technical data

Suitable for	all probes with cable Ø 5.5 ... 10.5 mm	
Material of housing	standard: steel, zinc plated optionally: stainless steel 1.4301 (304)	
Material of clamping jaws and positioning clips	PA (fibre-glass reinforced)	
Dimensions (mm)	174 x 45 x 32	
Hook diameter	20 mm	

Ordering type	Ordering code	Weight
Terminal clamp, steel, zinc plated	Z100528	approx. 160 g
Terminal clamp, stainless steel 1.4301 (304)	Z100527	

Display program

- CIT 200** Process display with LED display
- CIT 250** Process display with LED display and contacts
- CIT 300** Process display with LED display, contacts and analogue output
- CIT 350** Process display with LED display, bargraph, contacts and analogue output
- CIT 400** Process display with LED display, contacts, analogue output and Ex-approval
- CIT 600** Multichannel process display with graphics-capable LC display
- CIT 650** Multichannel process display with graphics-capable LC display and datalogger
- CIT 700 / CIT 750** Multichannel process display with graphics-capable TFT monitor, touchscreen and contacts
- PA 440** Field display with 4-digit LC display

For further information please contact our sales department or visit our homepage:
<http://www.bdsensors.de>



© 2023 BD|SENSORS GmbH – The specifications given in this document represent the state of engineering at the time of publishing. We reserve the right to make modifications to the specifications and materials.

Ordering code LMP 308

LMP 308



Pressure																					
	in bar	4	4	0																	
	in mH ₂ O	4	4	1																	
Input																					
[mH ₂ O]	[bar]																				
1.0	0.10	1	0	0	0																
1.6	0.16	1	6	0	0																
2.5	0.25	2	5	0	0																
4.0	0.40	4	0	0	0																
6.0	0.60	6	0	0	0																
10	1.0	1	0	0	1																
16	1.6	1	6	0	1																
25	2.5	2	5	0	1																
40	4.0	4	0	0	1																
60	6.0	6	0	0	1																
100	10	1	0	0	2																
160	16	1	6	0	2																
250	25	2	5	0	2																
	customer	9	9	9	9															consult	
Housing																					
	stainless steel 1.4404 (316L)	1																			
	customer	9																			consult
Diaphragm																					
	stainless steel 1.4435 (316L)	1																			
	customer	9																			consult
Output																					
	4 ... 20 mA / 2-wire									1											
	intrinsic safety 4 ... 20 mA / 2-wire									E											
	SIL2 4 ... 20 mA / 2-wire									1S											
	SIL2 with intrinsic safety 4 ... 20 mA / 2-wire									ES											
	customer									9											consult
Seal																					
	FKM									1											
	EPDM									3											
	customer									9											consult
Electrical connection																					
	PVC-cable (grey, Ø 7.4 mm) ¹									1											
	PUR-cable (black, Ø 7.4 mm) ¹									2											
	FEP-cable (black, Ø 7.4 mm) ¹									3											
	customer									9											consult
Accuracy																					
	standard for p _N ≥ 0.4 bar		0.35 %		FSO					3											
	standard for p _N < 0.4 bar		0.5 %		FSO					5											
	option 1 for p _N ≥ 0.4 bar		0.25 %		FSO					2											
	option 2		0.1 %		FSO ²					1											
	customer									9											consult
Cable length																					
	in m									9	9	9									
Version																					
	standard									0	0	0									
	customer									9	9	9									consult

¹ cable with integrated ventilation tube for atmospheric pressure reference

² not in combination with SIL